



MIKE'S PANELS
COLD ROOM PANELS AND DOORS

Cold Room Panels

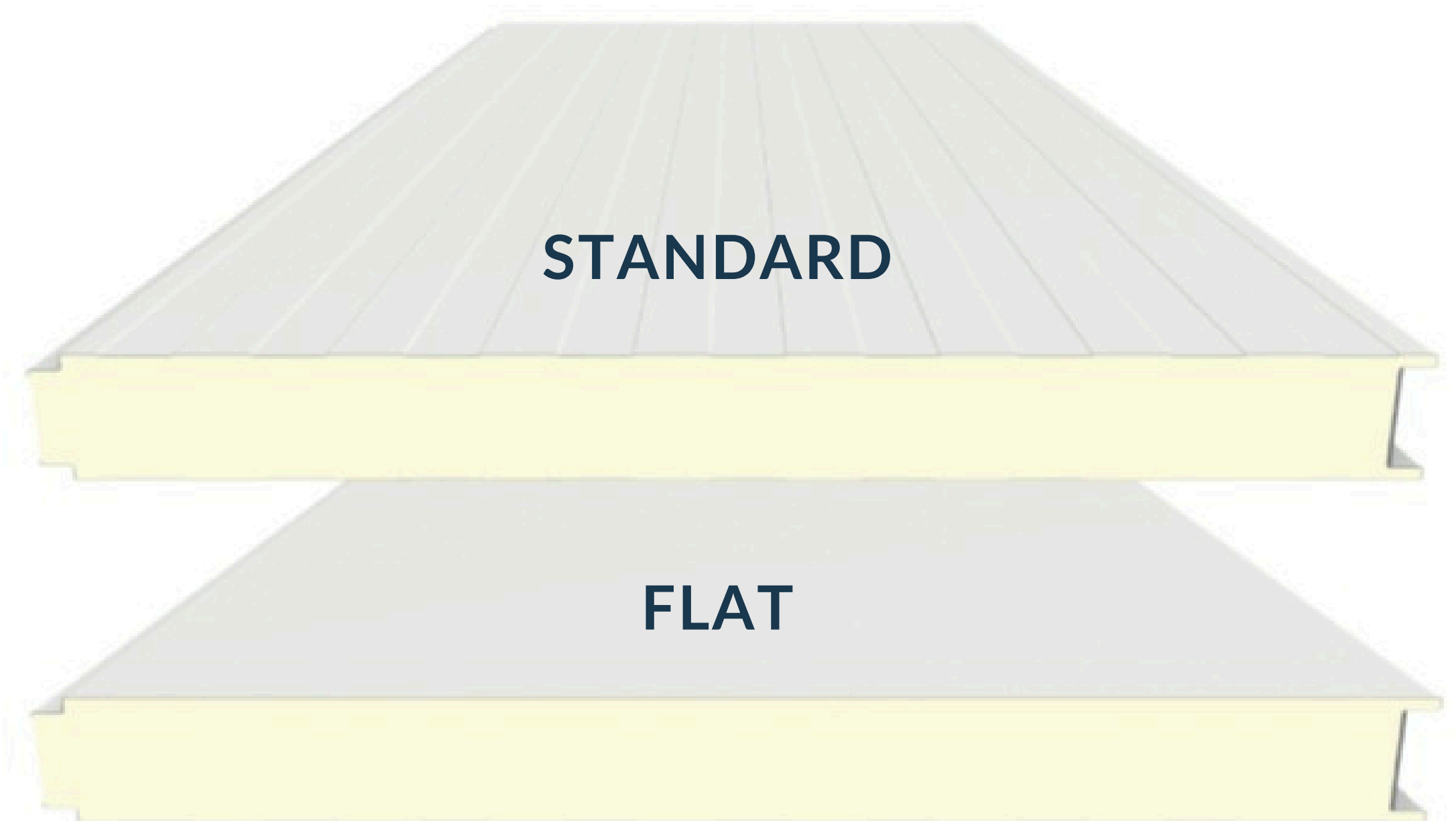


- High energy efficiency
- Minimal maintenance
- Sturdiness

Cold Room Panels

Insulated Metal Panels composed of steel skins laminated to a minimum of 1.6-inch polyisocyanurate foam core (min 2.3 pcf density).

Panels have a tongue and groove joining system. Its specially designed for use in all types of projects related to refrigeration industry, like the agro-food industry for refrigerated transport and storage of frozen and deep-frozen food.

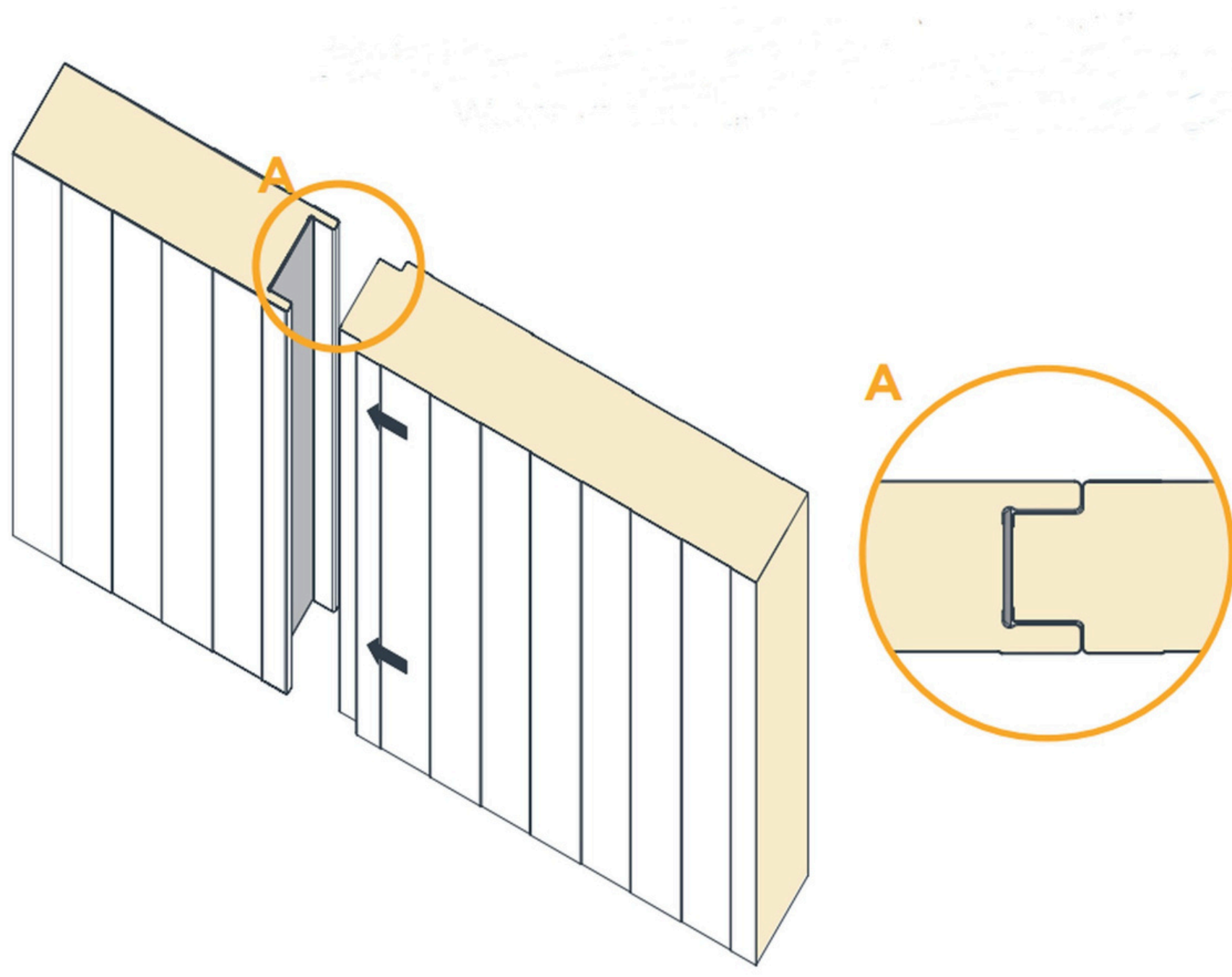


Available in seven different thicknesses. They come in two different exterior finishes (standard and flat) and two different interior finishes (standard and flat), as well as a wide range of available colours.

| TECHNICAL SPECIFICATION | VALUES | COLD ROOM PANELS | | | | | | | |
|---------------------------|--|------------------|----|----|----|-----|-----|-----|------|
| | | 40 | 50 | 60 | 80 | 100 | 120 | 150 | mm |
| Panel thickness | (1 9/16") (1 31/32") (2 3/8") (3 5/32") (3 15/16") (4 3/4") (6") | | | | | | | | inch |
| Useable width | 1000 mm (39 3/8") | | | | | | | | |
| Length | Up to 11.900 mm. (39 ft.) | | | | | | | | |
| Field of application | Cold room | | | | | | | | |
| Thicknesses of outer face | mm 0,5 / 0,6 / 0,7 | | | | | | | | |
| Thicknesses of inner face | GAUGE 26 / 24 / 22 | | | | | | | | |
| Exterior face | G90 galvanized or AZ50 aluminum-zinc, coated steel in | | | | | | | | |
| Interior face | .26 GA and above | | | | | | | | |
| Coatings | Polyester 25um (1 mil) | | | | | | | | |
| | PVDF 25um / 35um (1 mil / 1.38 mils) | | | | | | | | |
| | Granite HDX / SDP 50 (2,16 mils) | | | | | | | | |
| Outer ribbing | Standard / flat | | | | | | | | |
| Inner ribbing | Standard / flat | | | | | | | | |
| Type of core | Polyisocyanurate (PIR) | | | | | | | | |
| Core Density | 40 Kg/m3 (2.3 PCF) | | | | | | | | |

Functions and benefits of our panels

- Excellent aesthetics
- High thermal insulation capacity
- High mechanical strength
- High dimensional stability
- Water vapour tight
- A versatile material that allows any configuration
- Quick to install and easy to maintain
- Easily removable
- Made to measure, avoids waste
- Resistant to aggressive environment



| Panel thickness mm (") | Panel weight LB/ft2 | U-Value BTU/Hr ft2 °F | R-Value Hr ft2 °F/BTU |
|---------------------------|------------------------|--------------------------|--------------------------|
| 40 (1 9/16") | 2.06 | 0.097 | 16.299 |
| 50 (1 31/32") | 2.14 | 0.075 | 19.322 |
| 60 (2 3/8") | 2.22 | 0.060 | 22.547 |
| 80 (3 5/32") | 2.38 | 0.044 | 28.712 |
| 100 (3 15/16") | 2.55 | 0.035 | 34.745 |
| 120 (4 3/4") | 2.71 | 0.029 | 40.728 |
| 150 (6") | 2.96 | 0.023 | 49.634 |

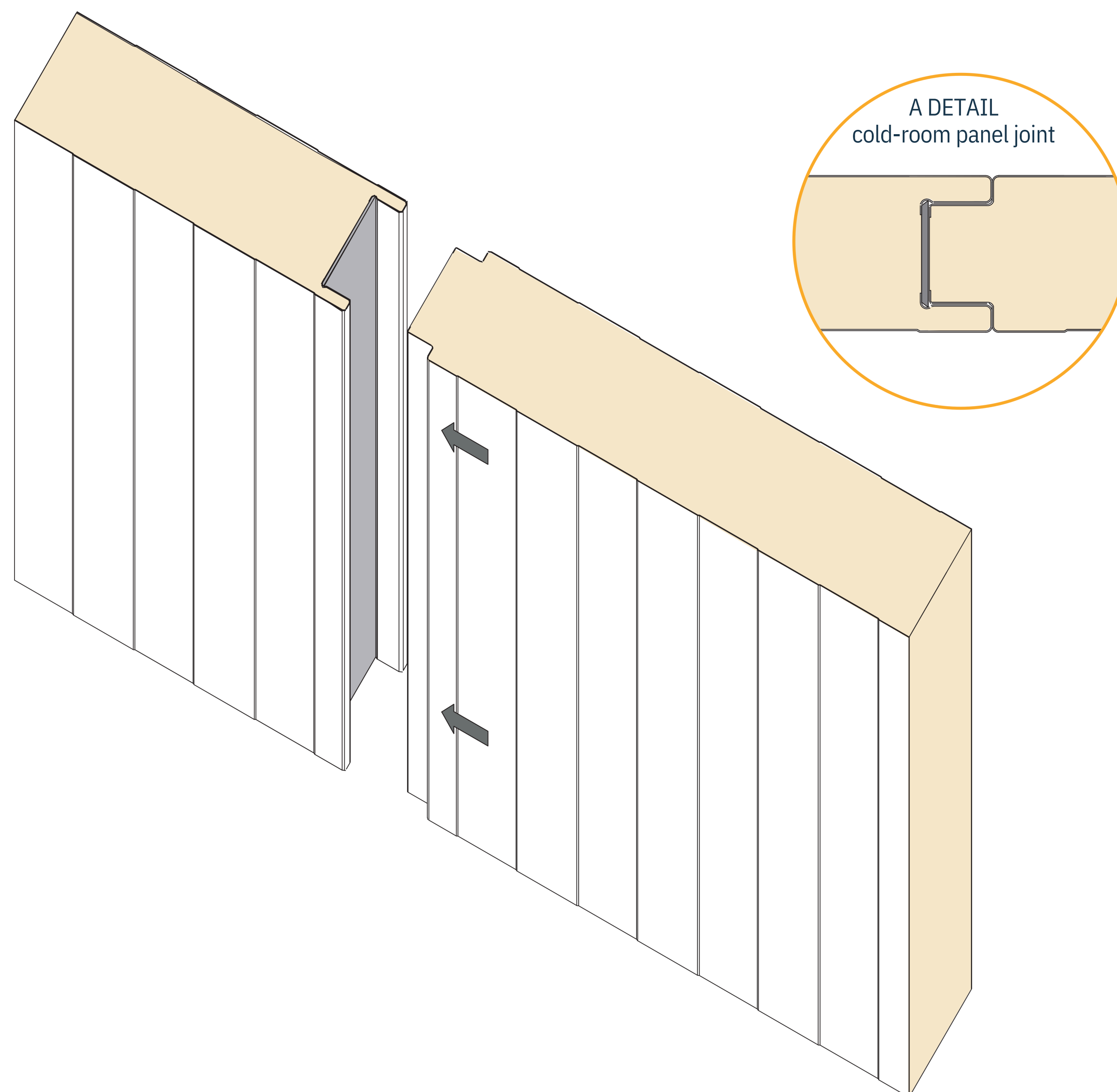
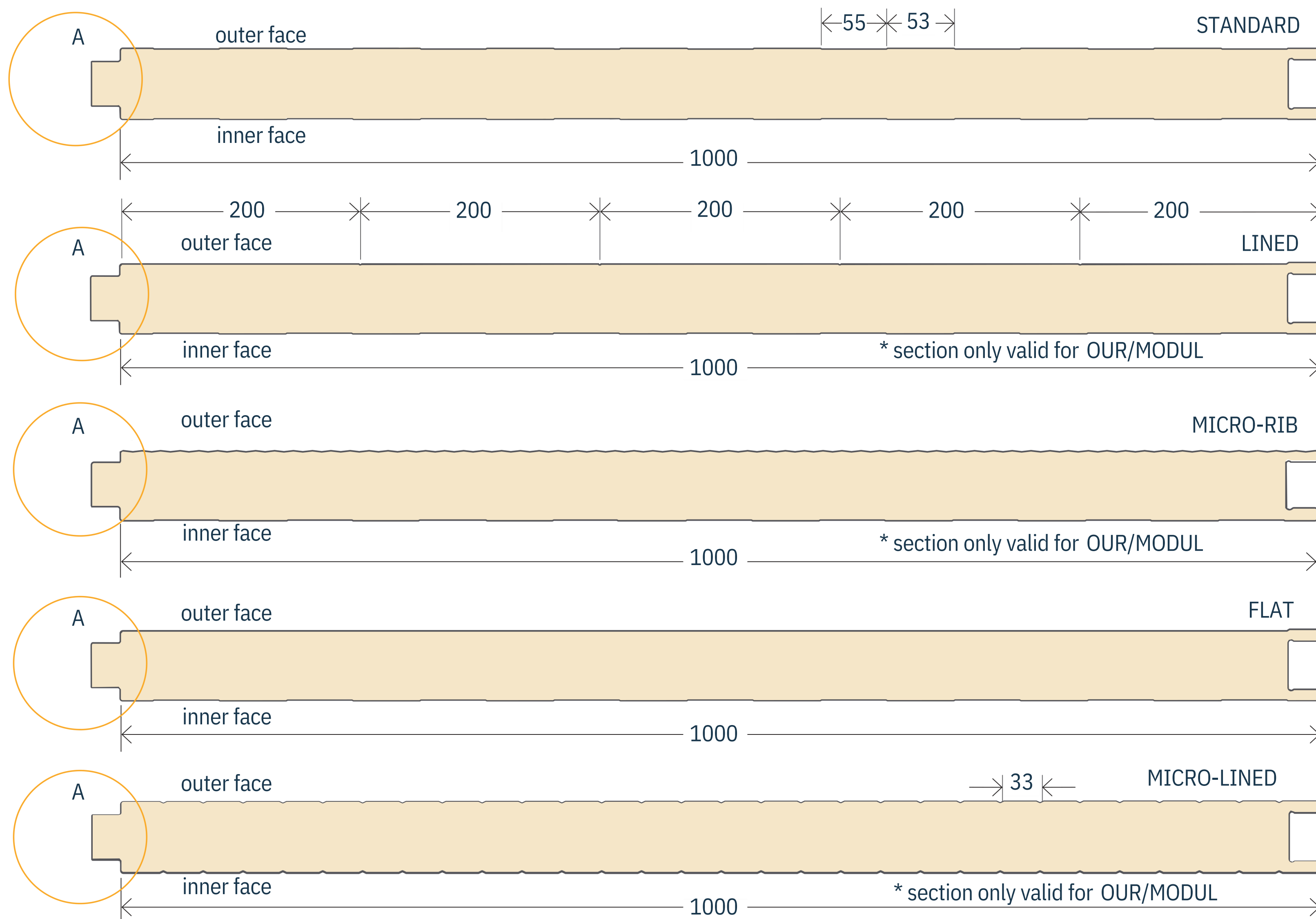
Testing and approvals

Our cold-room panels meet the most demanding requirements. We have large experience in producing insulated metal panels in our continuous production line.

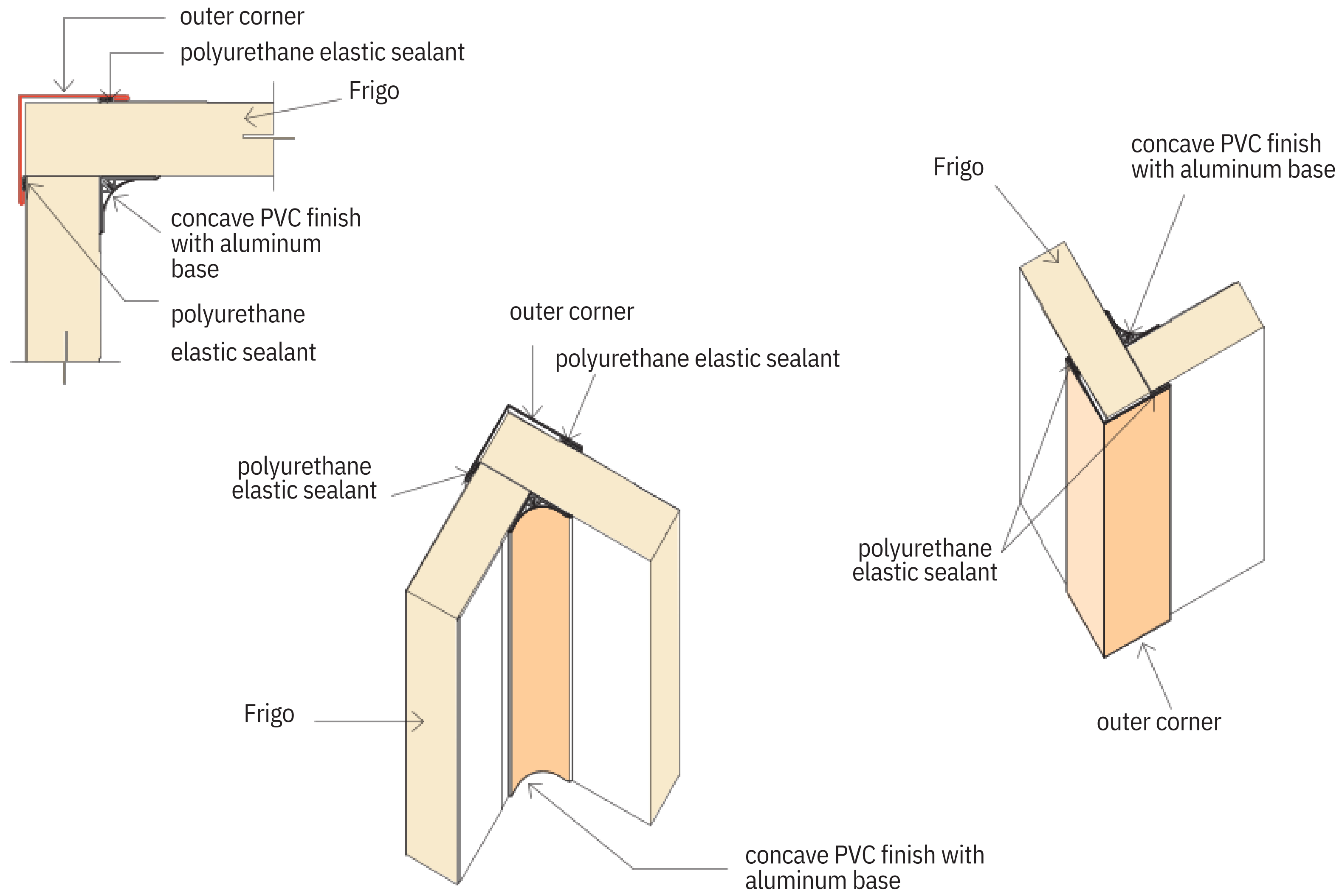
| TEST | VALUES | RESULTS |
|----------|-----------|---|
| Fire | ASTM E 84 | Flame spread index 20 Smoke developed index 300 |
| Strength | ASTM E 8 | > 32 ksi steel |



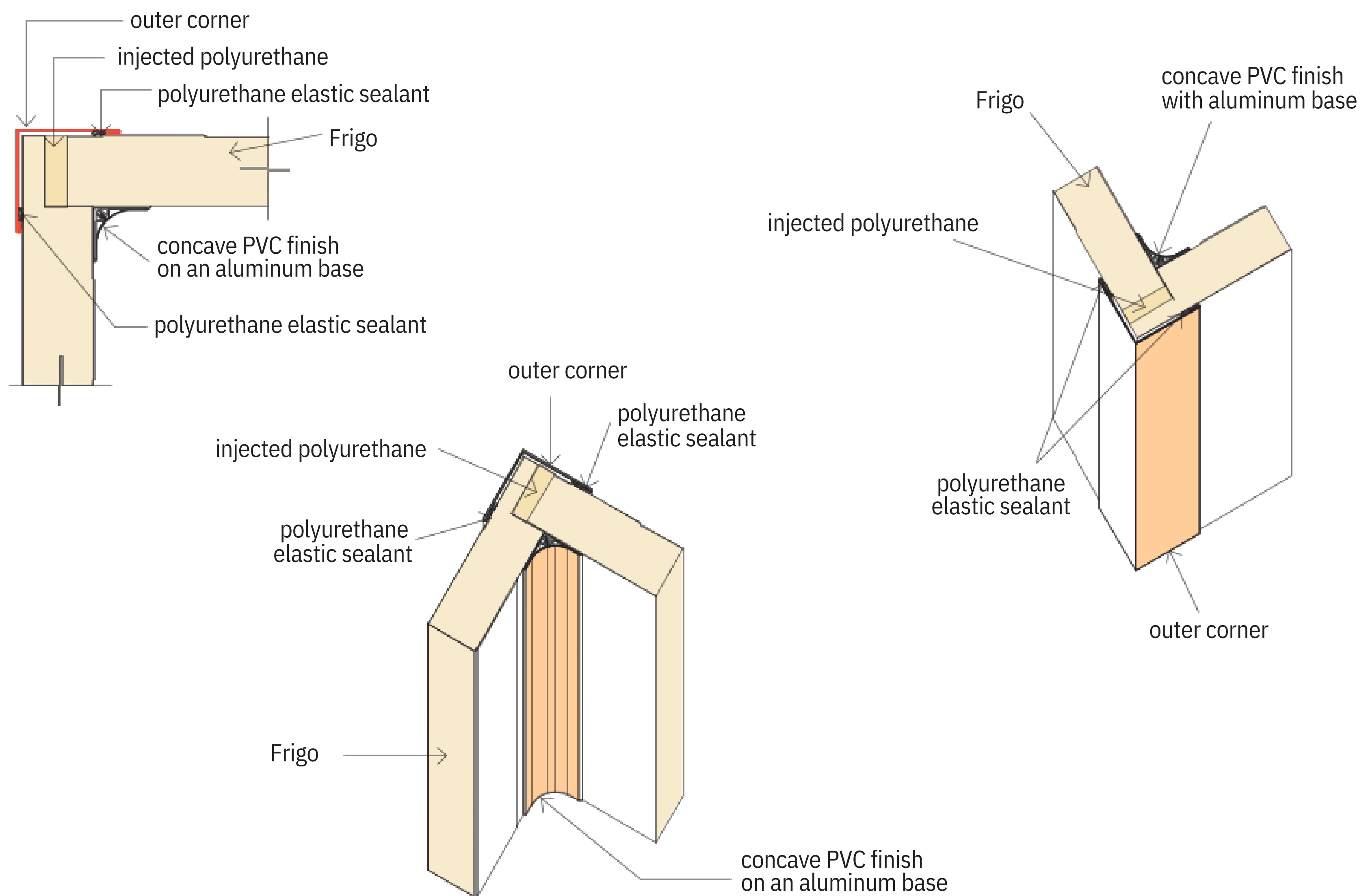
PROFILES AND TYPE OUR/ MODUL JOINT



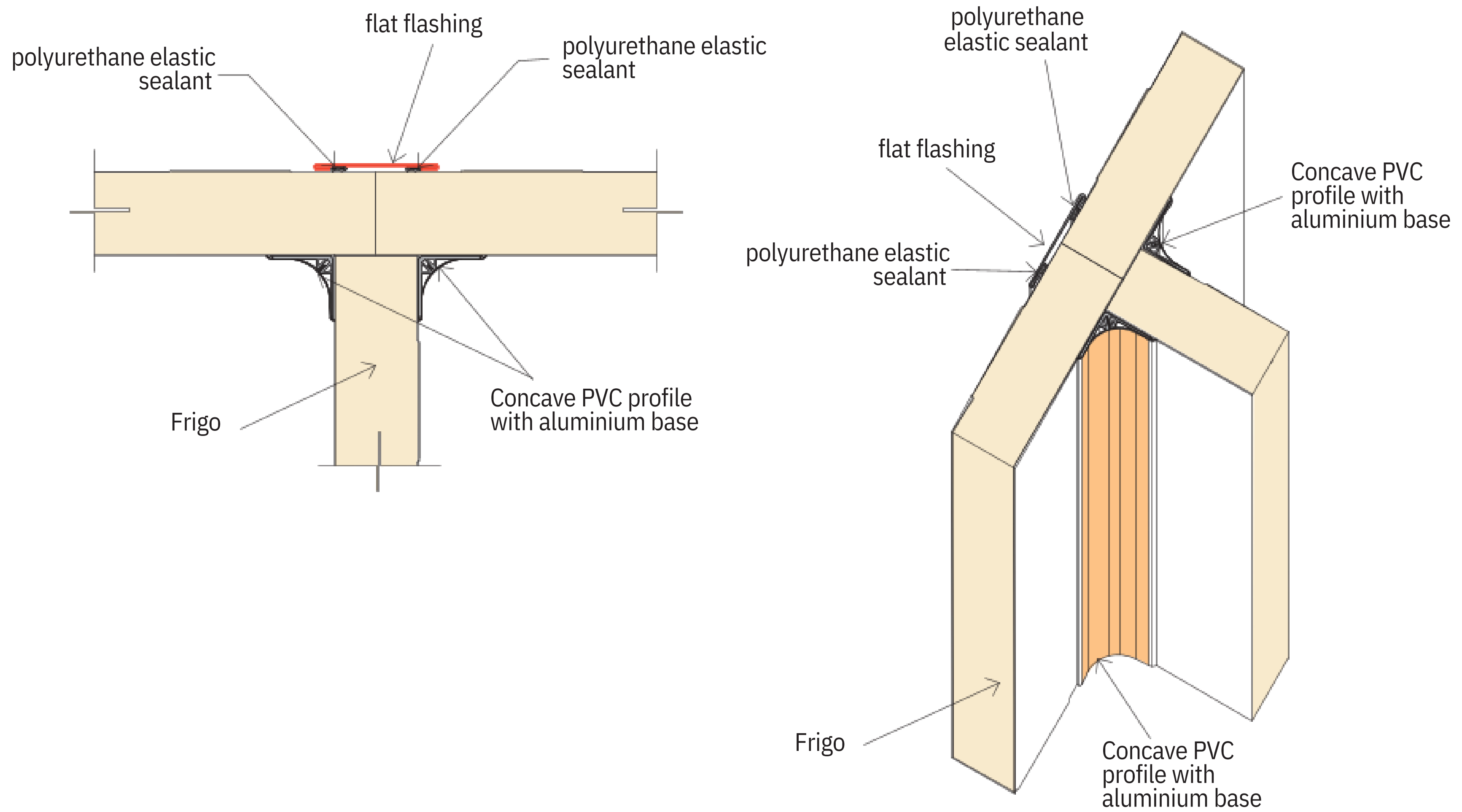
COLD ROOM CORNER JOINT (ROOM TEMPERATURE > 0 °C)



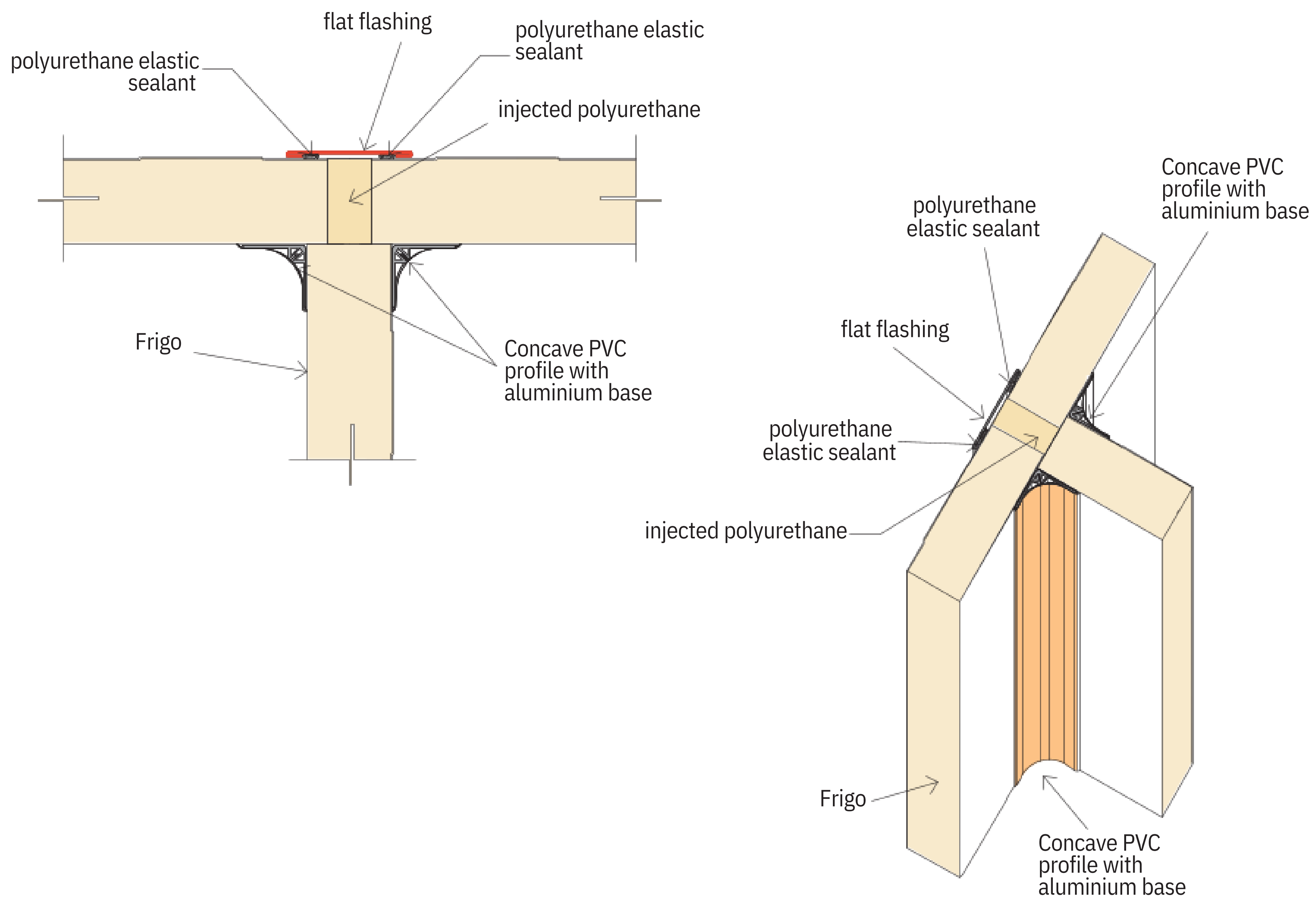
COLD ROOM CORNER JOINT (ROOM TEMPERATURE < 0 °C)



DOUBLE CORNER COLD ROOM JOINT: (ROOM TEMPERATURE > 0 °C)

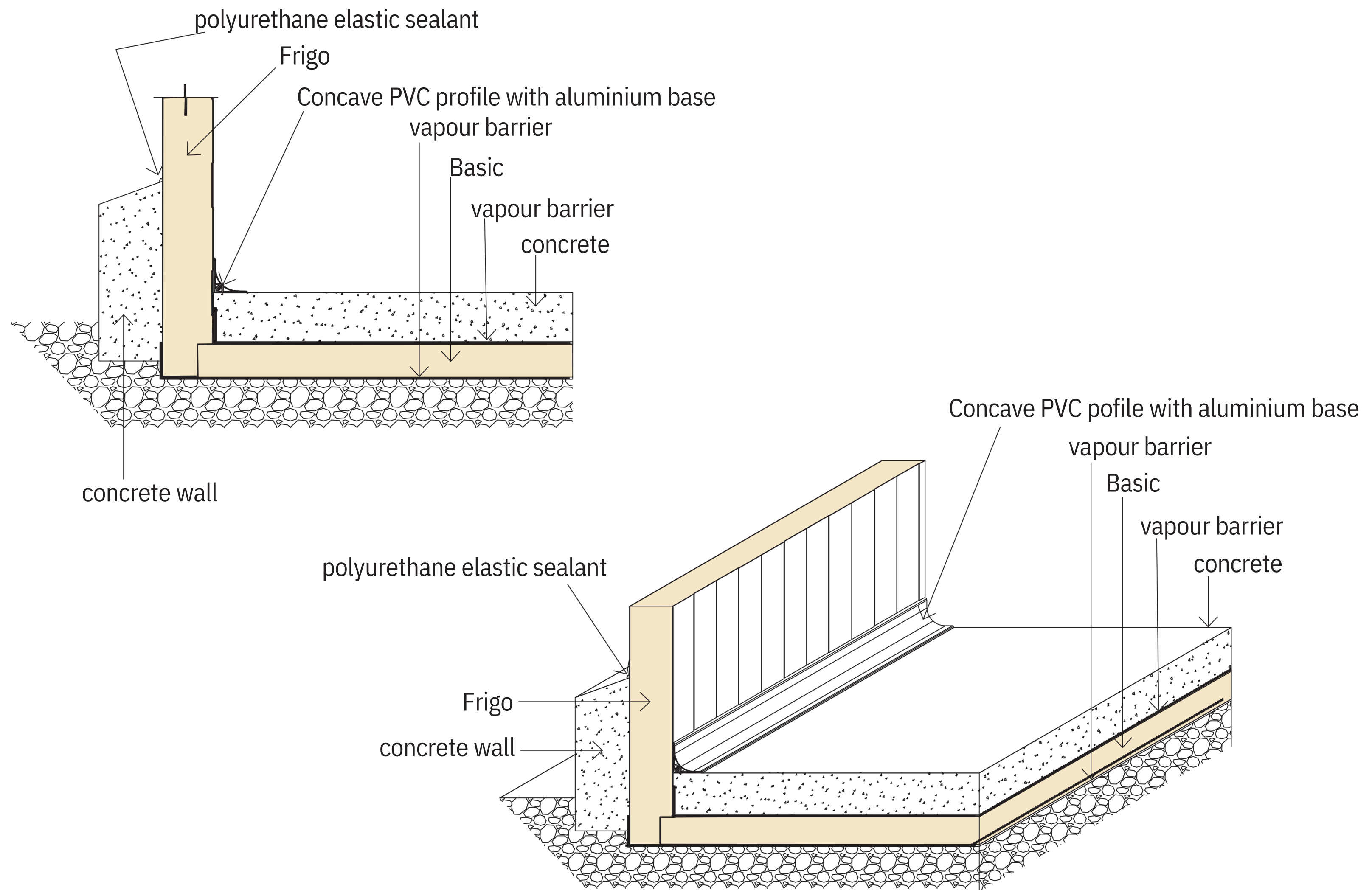


DOUBLE CORNER COLD ROOM JOINT: (ROOM TEMPERATURE < 0 °C)

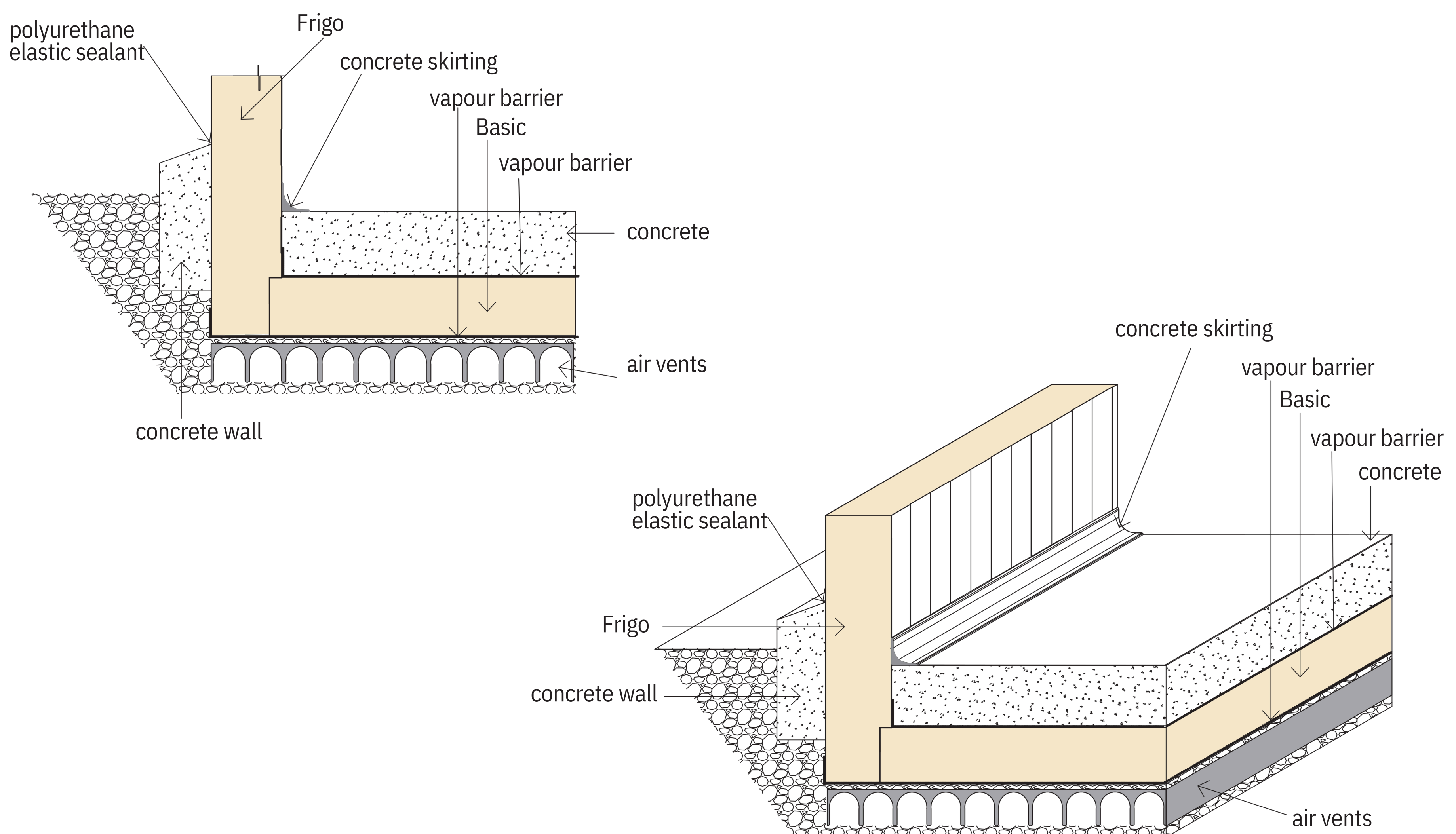




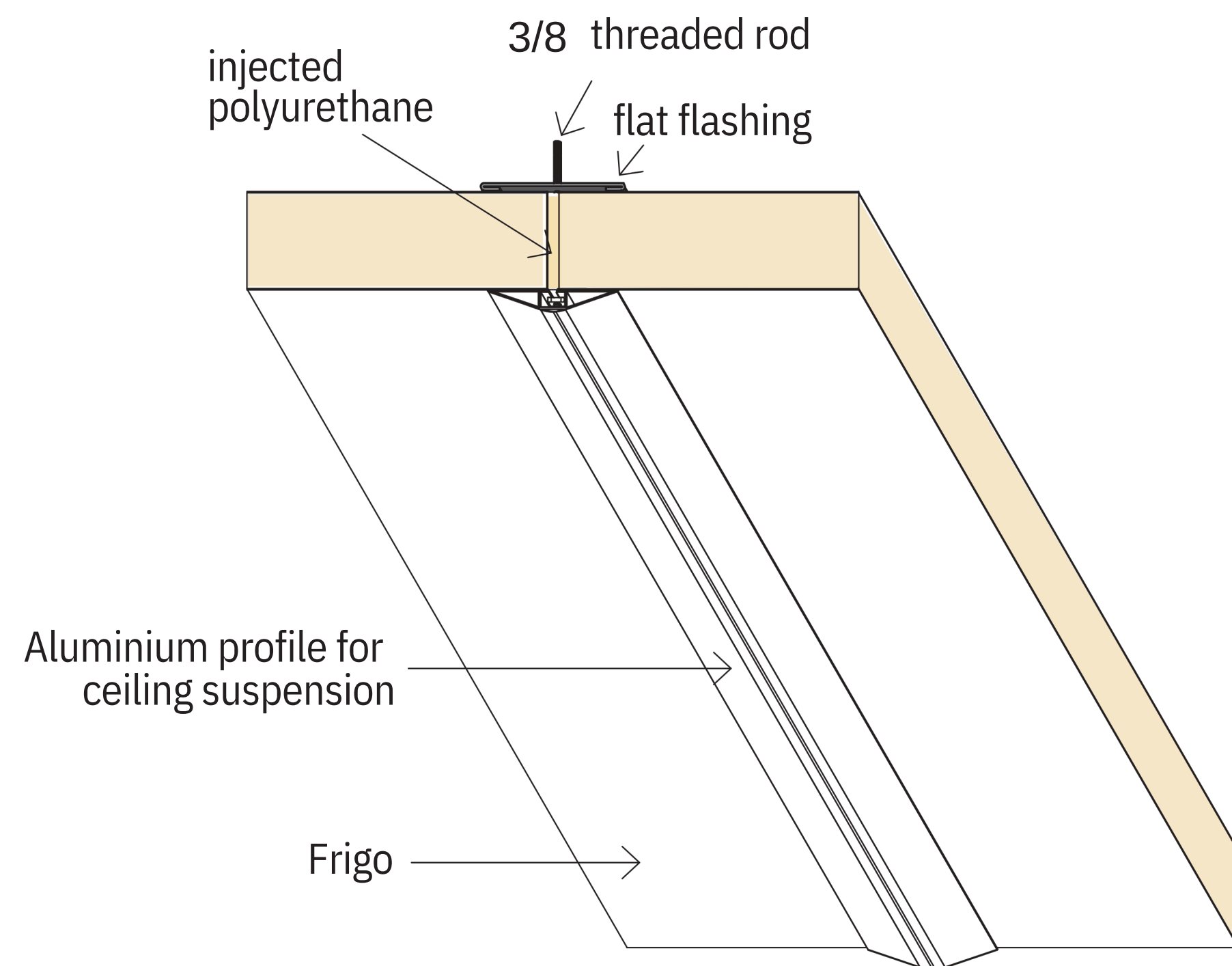
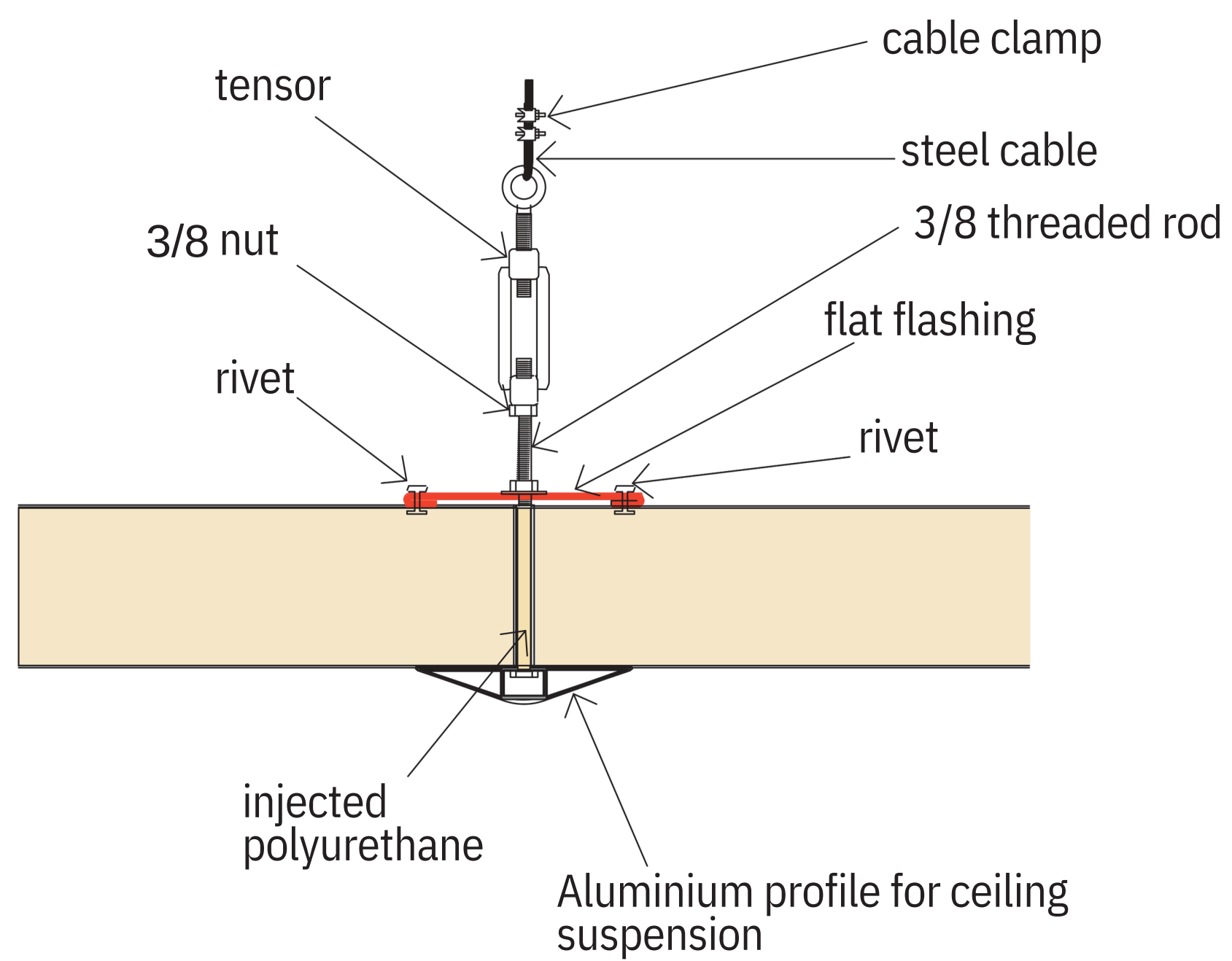
COLD ROOM WALL-FLOOR JOINT: (ROOM TEMPERATURE > 0 °C)



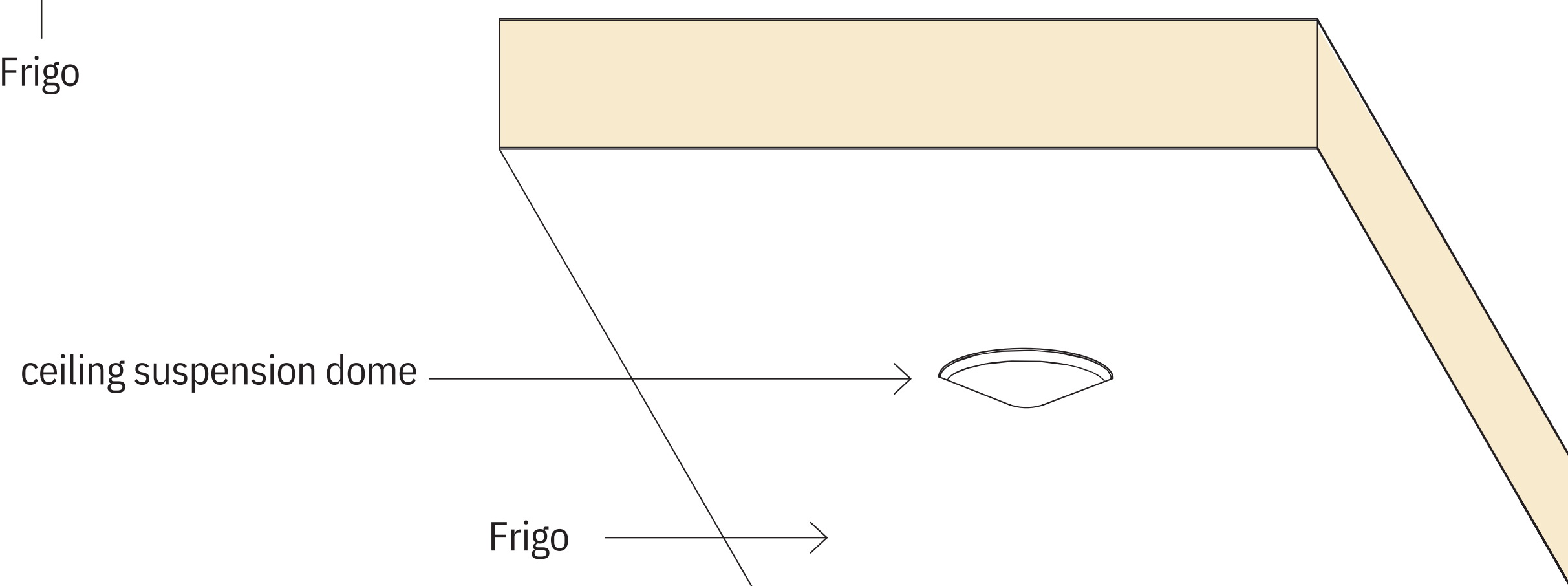
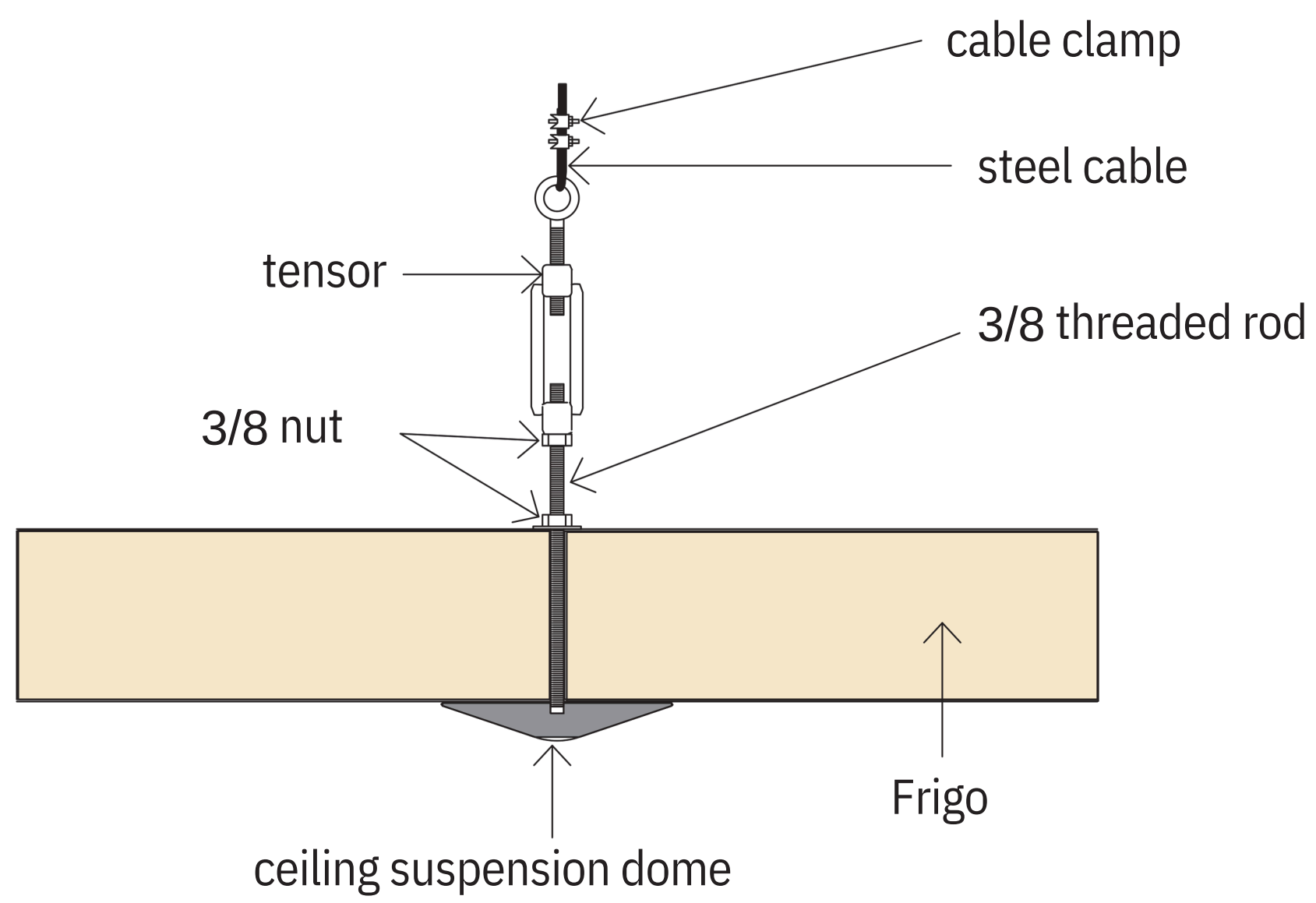
COLD ROOM WALL-FLOOR JOINT: (ROOM TEMPERATURE < 0 °C)



COLD-ROOM CEILING LONGITUDINAL SUSPENSION:



COLD ROOM CEILING POINT SUSPENSION:





MIKE'S PANELS

COLD ROOM PANELS AND DOORS

+1 786-314-2942

info@mikespanelscorp.com

mikespanelscorp.com

16275 SW 208th Terrace, Miami, FL 33187, United States